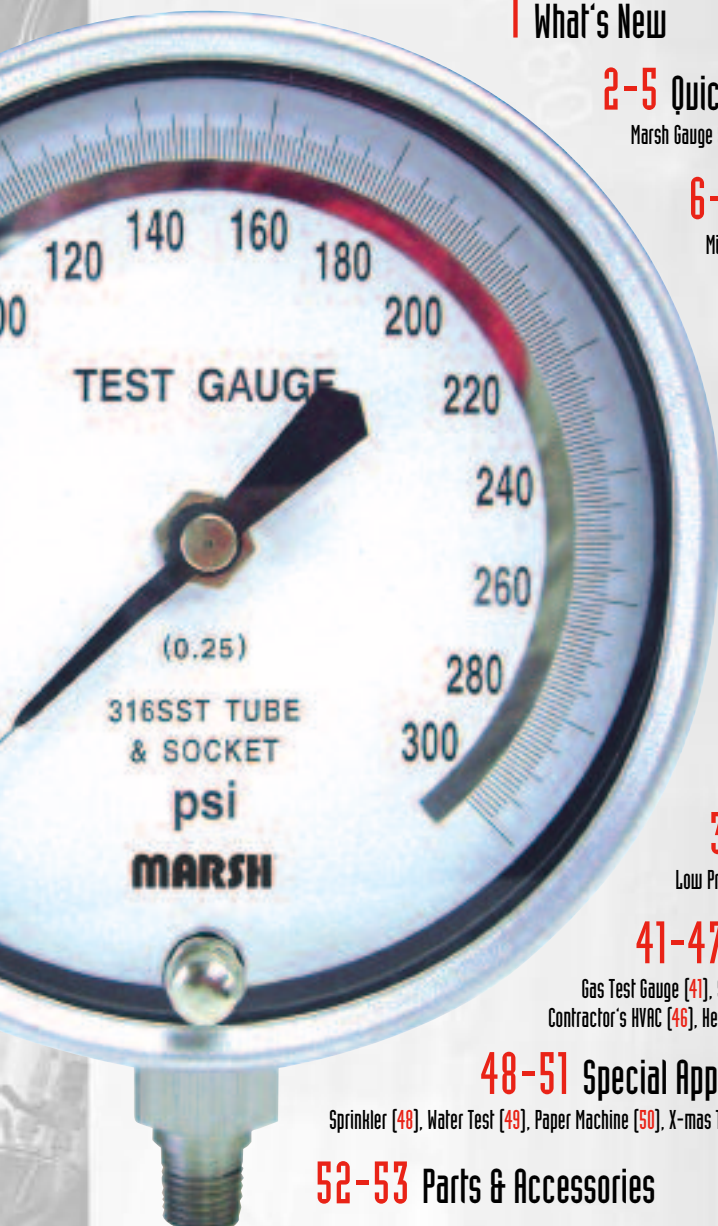




**MARSH** instruments

Product Catalog

# INDEX



## 1 What's New

### 2-5 Quick Selector

Marsh Gauge Selection Made easy!

### 6-10 Filters Regulators Lubricators

Miniature (M1) & Standard (M2) FRL's, Filters, Regulators, Filter-Regulators, Lubricators [6]

### 11-15 General Service Gauges

Marshalltown Value Series [11] General Service [12-15]

### 16-27 Liquid Filled Gauges

40mm & 50mm [16], 63mm Severe Service [17-18], 100mm Severe Service [19-20], 100mm Elite Stainless Steel [21], 100mm Stainless Steel [22], Quality Series 100mm Stainless Steel Internal [23], Quality Series 100mm Copper Alloy Internal [24], 'HW' 100mm Stainless Steel [25], 'HW' 160mm Stainless Steel [26], '63mm Liquid Filled Brass Gauge [27]

### 28-33 Precision Service Gauges

Quality [28-29], Test [30-31], Master Test Gauge [32], Inspector's Test [33]

### 34-37 Process Gauges

Process [34-37]

### 38-40 Diaphragm Gauges

Low Pressure [38], Vacuum Cleaner Test [40], Gas Pressure Test [40]

### 41-47 HVAC/R Gauges

Gas Test Gauge [41], Serviceman Test Gauge [42], Manifold "Reds" & "Blues" [43], Refrigeration Ammonia [44], Refrigeration [45], Contractor's HVAC [46], Heating System [47]

### 48-51 Special Application Gauges

Sprinkler [48], Water Test [49], Paper Machine [50], X-mas Tree Gauges [51]

### 52-53 Parts & Accessories

### 54-56 Diaphragm Seals

Mini, Welded & Removable Diaphragm Seals

### 57-63 Temperature Instruments

Hot Water Thermometer [57], Bimetal Thermometers [58-59], Pocket Thermometers [60], Industrial Thermometers & Wells [61], Submarine Thermometer [62], Tridicators [63]

### 64-66 Thermowells

### 67 Digital Pressure Indicator

### 68-77 General Information & Reference

Selection and Use of a Pressure Gauge [68], Pressure Gauge Operating Principle [69], How the Diaphragm Gauge Works [69], Marsh Chemical Compatibility Table [70], Accuracy Table [71], Pressure Units Cross Reference Chart [72], Part Number Prefix Guide [73], Part Number Suffix Guide [73], Abbreviations and Terms Used [73], Marshalltown Crossover Guide [73], Terms & Conditions [74], Distributor Return Policy [75], Product Classes and options [74], Product Warnings, Claims, Recommendations and Notices [76], Custom Dials [77].





Type M3 High Flow  
Regulators-pg. 6-10

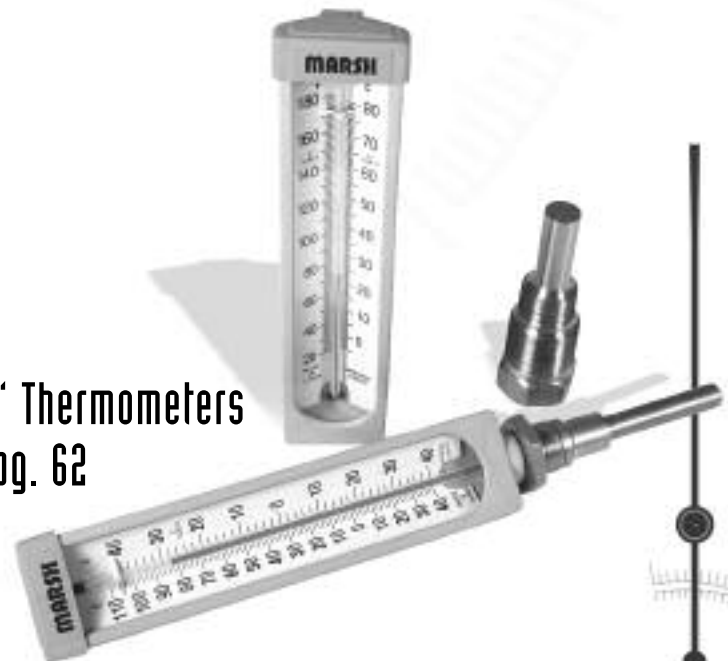


Master Test  
Gauge-pg. 32






'HW' 160MM  
Stainless Steel  
-pg. 26



5" Thermometers  
-pg. 62










				
GAUGE SERIES	MARSHALLTOWN VALUE SERIES Pg. 11	GENERAL SERVICE Pg. 12	40/50MM LIQUID FILLED Pg. 16	SEVERE SERVICE 63MM & 100MM Pg. 17-20
ACCURACY ASME	Grade B = $\pm 3/2/3$ ( $\pm 2\%$ of range across middle half of scale)	Grade B = $\pm 3/2/3$ ( $\pm 2\%$ of range across middle half of scale)	$\pm 2.5\%$ of range across full scale	Grade B = $\pm 3/2/3$ ( $\pm 2\%$ of range across middle half of scale) 63mm Grade 1A = $\pm 2/1/2$ ( $\pm 1\%$ of range across middle half of scale) 100mm
CASE SIZE	1½" & 2" diameter	1½", 2", 2½", 3½", & 4½" diameter	40mm & 50mm diameter	63mm diameter 100mm diameter
CASE MATERIAL	Steel, black painted	Steel, black painted	304 Stainless Steel	304 Stainless Steel
CASE STYLES	Lower Mount, Center Back Mount, Right & Left Mounts	Lower Mount, Center Back, U-Clamp & Front Flange Mounts	Center Back Mount	Rolled ring, hermetically sealed case; Lower Mount, Center Back, U-Clamp & Front Flange Mount
TUBE & SOCKET	Copper Alloy	Copper Alloy	Copper alloy tube with nickel plated brass socket	Copper alloy or 316 stainless steel
MOVEMENT	Brass	Brass	Brass	Brass
CONNECTIONS	½" - ¾" NPT	½" & ¾" NPT	40mm: ½" NPT 50mm: ¾" NPT	¼" NPT
RANGES	15 to 160 psi	0-30" Hg vacuum; compound ranges 30" Hg vacuum to 400 psi; and 15 to 5,000 psi	15 to 160 psi	0-30" Hg vacuum; compound ranges 30" Hg vacuum to 400 psi; and 15-10,000 psi
STANDARD DIAL	Dual Scale psi and kPa	Dual scale psi and kPa	Triple scale psi/BAR/kPa	Dual scale psi and kPa
DIAL COLOR	Black markings on white	Black markings on white	Black markings on white	Black markings on white
POINTER	Aluminum, black painted	Aluminum, black painted	Aluminum, black painted	Aluminum, black painted
WINDOW	Flat plastic with steel friction ring	1½", 2", 2½", 3½" acrylic flat twist-in; 4½" flat glass w/friction ring	Acrylic	Polycarbonate
FILL MEDIUM	N/A	N/A	Glycerine	Dry, glycerine, or silicone
VENT	N/A	N/A	Filler/Pressure relief plug	Rubber plug with snip-off feature







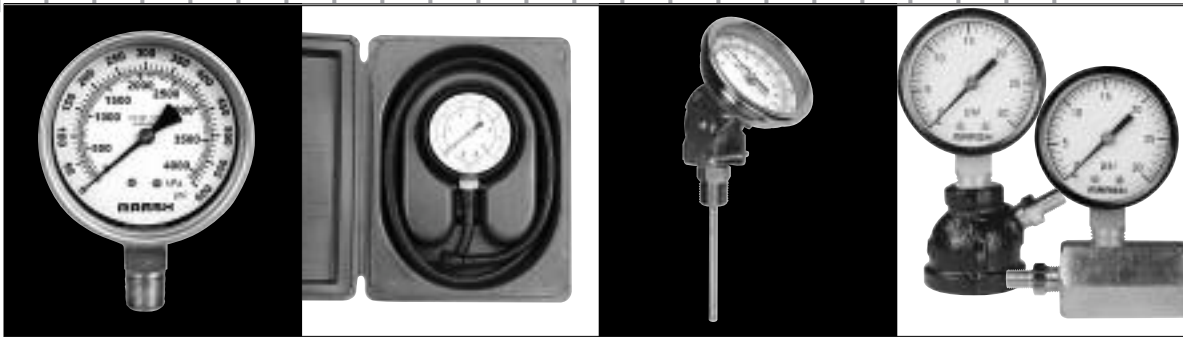


				
<b>QUALITY GAUGE</b> Pg. 23	<b>TEST GAUGE</b> Pg. 30	<b>INSPECTOR'S TEST GAUGE</b> Pg. 33	<b>PROCESS GAUGE</b> Pg. 34	<b>DIAPHRAGM GAUGE</b> Pg. 38
Grade A = $\pm 2\frac{1}{2}$ ( $\pm 1\%$ of range across middle half of scale)	Grade 2A = $\pm 0.50\%$ full scale	Grade 2A = $\pm 0.50\%$ full scale	Grade 2A = $\pm 0.50\%$ full scale	Grade A = $\pm 2\frac{1}{2}$ ( $\pm 1\%$ of range across middle half of scale) and Grade B = $\pm 3\frac{1}{3}$ ( $\pm 2\%$ of range for ranges below 30" H <sub>2</sub> O)
3½" and 4½" diameter	4½" diameter	3" diameter	4½" and 6" diameter	2½", 3½", & 4½" diameter
Steel, black painted	Steel, black painted	Brass, nickel plated	Safecase polypropylene (turret style only) & aluminum	Steel, black painted
Lower Mount, Flush case (Front Flange w/U-Clamp), Back Flange with Lower or Lower Back Mounts	Lower Mount, Flush Mount (Front Flange w/U-clamp & hinged ring)	Lower Mount	Turret, Back Flange case, Front Flange Mount, Lower or Lower Back Mount	Lower Mount, Center Back, U-Clamp & Front Flange Mount
Copper alloy up to 1,000 psi. Stainless steel tube, tip & socket above 1,000 psi	Copper alloy or 316 stainless steel	Copper alloy	Copper alloy or 316 stainless steel	Phosphor bronze diaphragm soft-soldered to brass socket
Stainless steel	Stainless steel	Brass	Stainless steel	Brass sector and pinion
¼" or ½" NPT	¼" or ½" NPT	¼" NPT	¼" or ½" NPT	½" & ¼" NPT and special connections
0-30" Hg vacuum; compound ranges 30" Hg vacuum to 300 psi; 15-20,000 psi	0 to 30" Hg vacuum; compound ranges 30" Hg vacuum to 300 psi; 15-10,000 psi	0 to 30" Hg vacuum; 15 to 1,000 psi	0 to 30" Hg vacuum; compound 30" Hg vacuum to 300 psi; 15 to 20,000 psi	Dual scale with kPa; 0 to 200" H <sub>2</sub> O vacuum; 0 to 300" H <sub>2</sub> O, 0 to 10 psi, 0 to 160 oz/in <sup>2</sup> . Triple scale 0-58 oz/in <sup>2</sup> , inches H <sub>2</sub> O & kPa
Single scale psi	Single scale psi	Dual scale psi and kPa	Single scale psi	Dual scale in. H <sub>2</sub> O & kPa, psi & kPa, or Triple scale oz/in <sup>2</sup> in. H <sub>2</sub> O, & kPa
Black markings on white	Black markings on white with mirrored dial to avoid parallax	Black markings on white	Black markings on white	Black markings on white
3½" Recalibrator 4½" Adjustable micrometer	Aluminum, black painted, Knife-edge, adjustable micrometer	Aluminum, black painted, knife edge	Aluminum, black painted, adjustable micrometer	Aluminum, black painted
Glass	Glass	Beveled glass	Acrylic	2½" & 3½": Acrylic twist-in clearlok 4½": Flat acrylic with friction ring
N/A	N/A	N/A	Dry, glycerine, or silicone	N/A
N/A	Blowout disc	N/A	Internal compensating diaphragm	N/A

# Quick Selector



<b>MARSH</b>				
<b>GAUGE SERIES</b>	MASTER TEST GAUGE Pg. 32	PAPER MACHINE GAUGE Pg. 50	100MM ELITE Pg. 21	100MM STAINLESS STEEL Pg. 22
<b>ACCURACY ASME</b>	Grade 3A = $\pm 0.25\%$ full scale	Grade A = $\pm 2/1/2$ ( $\pm 1\%$ of range across middle half of scale)	Grade 1A = $\pm 1\%$ full scale	Grade 1A = $\pm 1\%$ full scale
<b>CASE SIZE</b>	6" diameter	3 1/2" diameter	100mm diameter	100mm diameter
<b>CASE MATERIAL</b>	304 Stainless steel	Steel, chrome plated	304 Stainless steel	304 Stainless steel
<b>CASE STYLES</b>	Lower Mount	Lower Back Mount; Hinged ring case & moisture-proof with weep hole	Safecase with blow-out back construction; Lower Mount	Lower Mount, Panel Mount with U-Clamp and three hole Front Flange Mount
<b>TUBE &amp; SOCKET</b>	Copper Alloy	Copper Alloy	316 Stainless steel	316 Stainless steel
<b>MOVEMENT</b>	Stainless steel	Stainless steel	Stainless steel rotary movement	Stainless steel
<b>CONNECTIONS</b>	1/4" or 1/2" NPT	1/4" NPT	1/2" NPT	1/4" NPT
<b>RANGES</b>	0 to 30" Hg vacuum; compound ranges 30" Hg vacuum to 300 psi; 15-10,000 psi	30 to 1,000 psi	0-30" Hg vacuum 30-10,000 psi	30-10,000 psi
<b>STANDARD DIAL</b>	Single scale psi	Single scale psi	Dual scale psi and kPa	Dual scale psi and kPa
<b>DIAL COLOR</b>	Black markings on white with mirrored dial to avoid parallax	Black markings on white	Black markings on white	Black markings on white
<b>POINTER</b>	Aluminum, black painted, knife-edge	Aluminum, black painted w/recalibrator	Aluminum, black painted	Aluminum, black painted
<b>WINDOW</b>	Glass	Glass lens, chrome plated brass ring with weather-tight seal	Safety glass	Acrylic
<b>FILL MEDIUM</b>	N/A	N/A	Dry, glycerine or silicone	Dry, glycerine or silicone
<b>VENT</b>	Blowout disc	N/A	Internal compensating diaphragm	Rubber plug with snip-off feature



'HW' 100MM & 160MM STAINLESS STEEL Pg. 25-26	GAS PRESSURE TEST SET Pg. 40	BIMETAL THERMOMETERS Pg. 58-59	GAS TEST GAUGES Pg. 41										
Grade 1A = ±1% full scale	Grade A = ±2/1/2 (± 1% of range across middle half of scale) and Grade B = ±3/1/3% for ranges (below 30" H2O)	±1% of span	ASME Grade B ±3/2/2% (±2% of range across middle half of scale)										
100mm & 160mm diameter	2 1/2"	2", 3" & 5", standard stem lengths of 2 1/2" to 24"	2" Diameter										
304 Stainless steel	Provided in grey polyethylene case with 3 ft. of rubber tubing	304 Stainless steel	Steel, black painted										
Lower Mount		Hermetically sealed; Center Back or Adjustable	Mounting-Reducing Bell or Hex Style Housing Material-Reducing Bell: Iron, Black Painted Hex Body: Steel, Zinc Dichromate Plated										
316 Stainless steel with socket welded to the case	Phosphor bronze diaphragm soft-soldered to brass socket	304 Stainless steel stems	Copper Alloy										
Stainless steel	Brass sector and pinion	Bimetal sensing element with external reset feature	Brass										
1/2" NPT		1/4" NPT (2" case only); 1/2" NPT (3" & 5" cases)	3/4" FTP										
15-20,000 psi	0 to 8.75 oz/in <sup>2</sup> 0 to 20 oz/in <sup>2</sup> 0 to 58 oz/in <sup>2</sup>	11 dual scale ranges from -120° F through 1000°F (-50° C through 550° C)	<table border="0"> <tr> <td><u>Bell Type</u></td> <td><u>Hex Type</u></td> </tr> <tr> <td>0-15 psi</td> <td>0-15 psi</td> </tr> <tr> <td>0-30 psi</td> <td>0-30 psi</td> </tr> <tr> <td>0-60 psi</td> <td>0-60 psi</td> </tr> <tr> <td>0-100 psi</td> <td>0-100 psi</td> </tr> </table>	<u>Bell Type</u>	<u>Hex Type</u>	0-15 psi	0-15 psi	0-30 psi	0-30 psi	0-60 psi	0-60 psi	0-100 psi	0-100 psi
<u>Bell Type</u>	<u>Hex Type</u>												
0-15 psi	0-15 psi												
0-30 psi	0-30 psi												
0-60 psi	0-60 psi												
0-100 psi	0-100 psi												
Dual scale psi and kPa	Triple scale oz/in <sup>2</sup> in. H <sub>2</sub> O, & kPa	Dual scale in degrees Celsius & Fahrenheit	Single Scale psi										
Black markings on white	Black markings on white	Black markings on white	Black markings on white										
Aluminum, black painted	Aluminum, black painted	Aluminum, black painted	Aluminum, black painted										
Safety glass	Acrylic, twist-in	Glass	Polycarbonate										
Dry, glycerine, or silicone	N/A	N/A	N/A										
Rubber plug with snip-off feature	N/A	N/A	N/A										

**THERMOWELLS**  
Pg. 64-66

Type: Standard & Lagging
Stem Length: 2 1/2" to 24"
Material: Brass, 304 Stainless Steel or 316 Stainless Steel
Shank: Straight or Tapered
Bore Size: 0.260 or 0.385
Configuration: Threaded (Flanged & Socket Weld upon request)





**TYPE M1-MINI**

**TYPE M2-STANDARD**

**TYPE M3-HIGH FLOW**

**FILTERS**

	TYPE M1-MINI	TYPE M2-STANDARD	TYPE M3-HIGH FLOW
Port Size	½", ¼" NPT	¼", ⅜", ½" NPT	¾", 1" NPT
Filtration (micron)	5μ, 25μ, 50μ	5μ, 25μ, 50μ	5μ, 25μ, 50μ
Maximum Supply Pressure	1.0 MPa	1.0 MPa	1.0 MPa
	10 BAR	10 BAR	10 BAR
	145 psi	145 psi	145 psi
Temperature Range	41°-140° F / 5°-60° C	41°-140° F / 5°-60° C	41°-140° F / 5°-60° C
Drain	Manual / Semi-Auto	Manual / Semi-Auto / Auto	Manual
Bowl Capacity	0.75 inch <sup>3</sup>	2.75 inch <sup>3</sup>	6.71 inch <sup>3</sup>
Flow (based on 100 psi inlet pressure with 50 micron filter)	55, 85 SCFM	120, 120, 120 SCFM	175, 175 SCFM

**REGULATORS**

Effect of Supply Pressure variation (25 psig) on Outlet Pressure	< 0.2 psig (13.8 mBAR)	< 0.2 psig (13.8 mBAR)	< 0.2 psig (13.8 mBAR)
	< 0.25 SCFM (< 7 LPM)	< 0.25 SCFM (< 7 LPM)	< 0.25 SCFM (< 7 LPM)
Exhaust Capacity (5 psig above 20 psig set point)	< 0.25 SCFM (< 7 LPM)	< 0.25 SCFM (< 7 LPM)	< 0.25 SCFM (< 7 LPM)
Max. Supply Pressure	145 psig (10 BAR)	145 psig (10 BAR)	145 psig (10 BAR)
Flow Capacity at 100 psig (6.9 BAR) supply and 70 psig (4.8 BAR) outlet	40, 60 SCFM	90, 120, 120 SCFM	275 SCFM
Output Pressure Ranges	0-10 psig (0-0.69 BAR)	0-10 psig (0-0.69 BAR)	0-30 psig (0-2.1 BAR) 0-60 psig (0-4.1 BAR) 0-120 psig (0-8.3 BAR)
	0-30 psig (0-2.1 BAR)	0-30 psig (0-2.1 BAR)	
	0-60 psig (0-4.1 BAR)	0-60 psig (0-4.1 BAR)	
	0-120 psig (0-8.3 BAR)	0-120 psig (0-8.3 BAR)	
Total Air Consumption @ Maximum Output	0.3 SCFH (0.14 LPM)	0.3 SCFH (0.14 LPM)	0.5 SCFH (0.11 LPM)
Port Size	½", ¼" NPT	¼", ⅜", ½" NPT	¾", 1" NPT
Mounting Options	Pipe, Panel or Bracket	Pipe, Panel or Bracket	Pipe, Panel or Bracket

**FILTER-REGULATORS**

Port Size	½", ¼" NPT	¼", ⅜", ½" NPT	¾", 1" NPT
Filtration (micron)	5μ, 25μ, 50μ	5μ, 25μ, 50μ	5μ, 25μ, 50μ
Maximum Supply Pressure	1.0 MPa	1.0 MPa	1.0 MPa
	10 BAR	10 BAR	10 BAR
	145 psi	145 psi	145 psi
Temperature Range	41°-140° F / 5°-60° C	41°-140° F / 5°-60° C	41°-140° F / 5°-60° C
Drain	Manual / Semi-Auto	Manual / Semi-Auto / Auto	Manual
Bowl Capacity	0.75 inch <sup>3</sup>	2.75 inch <sup>3</sup>	6.71 inch <sup>3</sup>
Regulator Output Range	0-10, 0-30, 0-60, 0-120 psi	0-10, 0-30, 0-60, 0-120 psi	0-30, 0-60, 0-120 psi
Flow (based on 100 psi supply/70 psi out)	40, 60 SCFM	90, 120, 120 SCFM	175 SCFM

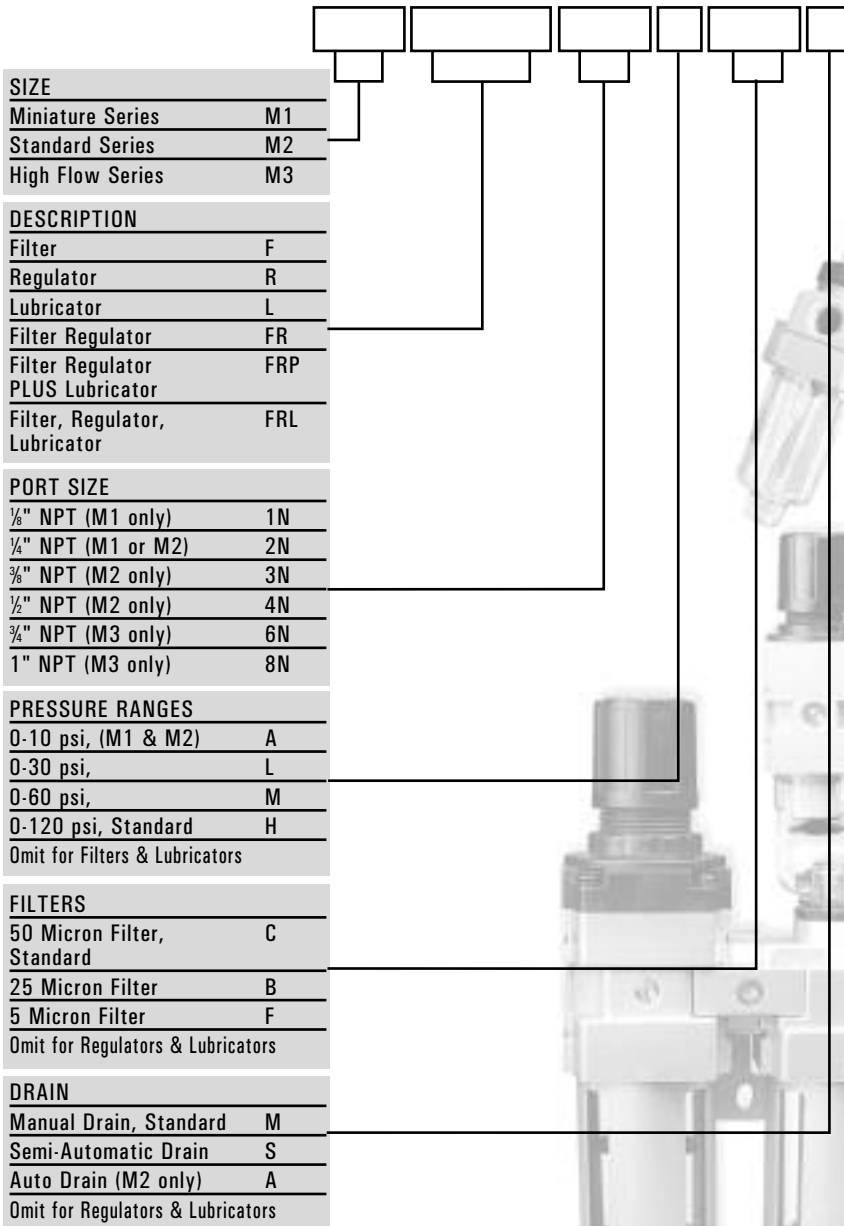
**LUBRICATORS**

Port Size	½", ¼" NPT	¼", ⅜", ½" NPT	¾", 1" NPT
Lubrication	Mist	Mist	Mist
Maximum Supply Pressure	1.0 MPa	1.0 MPa	1.0 MPa
	10 BAR	10 BAR	10 BAR
	145 psi	145 psi	145 psi
Temperature Range	41°-140° F / 5°-60° C	41°-140° F / 5°-60° C	41°-140° F / 5°-60° C
Bowl Capacity	1.22 inch <sup>3</sup>	5.18 inch <sup>3</sup>	10.3 inch <sup>3</sup>
Flow (based on 100 psi inlet pressure)	55, 115 SCFM	125, 125, 125 SCFM	245 SCFM





**FRL ORDERING INFORMATION**



**FRL FEATURES**

- Modular design for service & interchangeability
- Miniature (M1), Standard (M2) & High Flow (M3)
- Small package size and light weight construction
- Competitively priced

**FILTERS**

- M1 has polycarbonate bowl, M2 & M3 have polycarbonate bowl with metal guard
- STOCK ELEMENTS - 5, 25 or 50 micron
- Manual, semi-auto or auto drain available

**REGULATORS**

- Bellofram® Rolling Diaphragm for superior regulator performance
- Panel, pipe, or bracket (included) mounting
- Metal body, polycarbonate bonnet and knob
- Non-rising adjustment knob with push-pull lock ring feature

**FILTER REGULATORS**

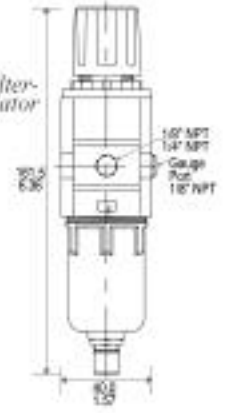
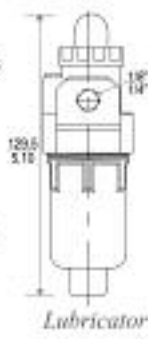
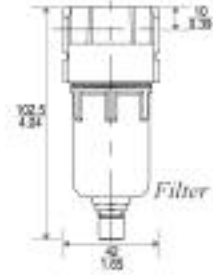
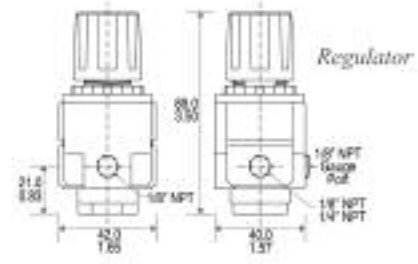
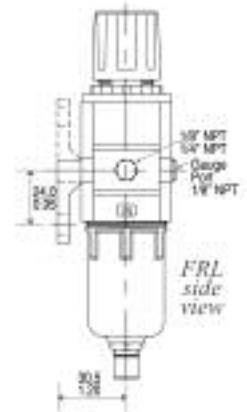
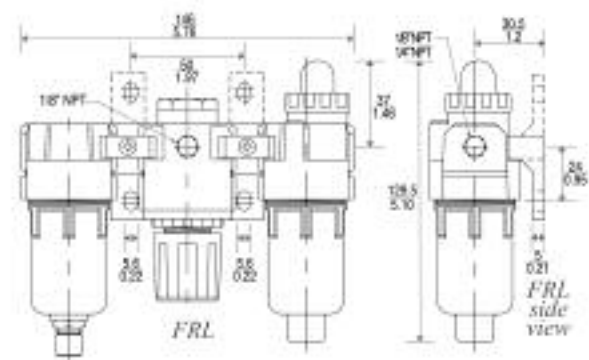
- Aluminum and polycarbonate construction
- Manual, semi-auto or autodrain available
- M1 has polycarbonate bowl; M2 & M3 have polycarbonate bowl with metal guard
- Non-rising adjustment knob with push-pull lock ring feature
- For panel or bracket mounting
- Bellofram® Rolling Diaphragm for superior regulator performance

**LUBRICATORS**

- M1 has polycarbonate bowl; remove bowl for filling.
- M2 & M3 have polycarbonate bowl with metal guard; top plug permits filling without removing bowl or shutting off air
- Adjust drip rate by hand, using graduated ring on M1& M3, with screwdriver on M2

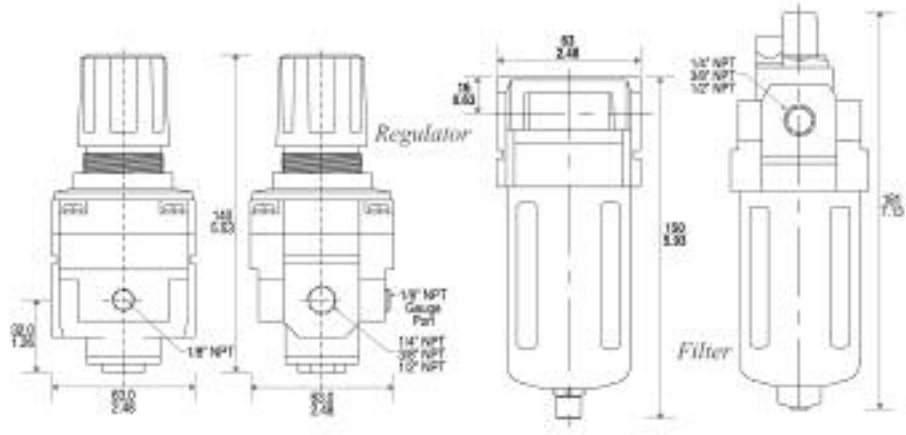
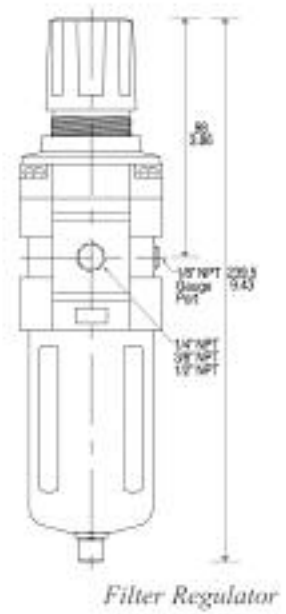
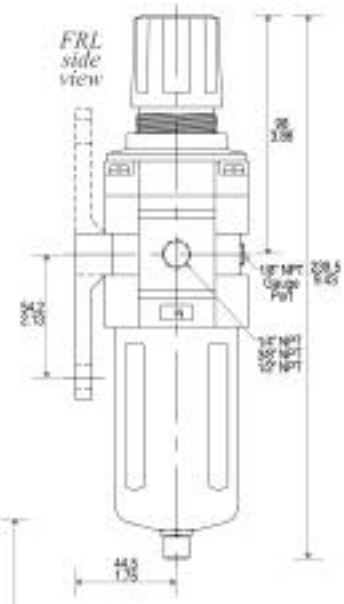
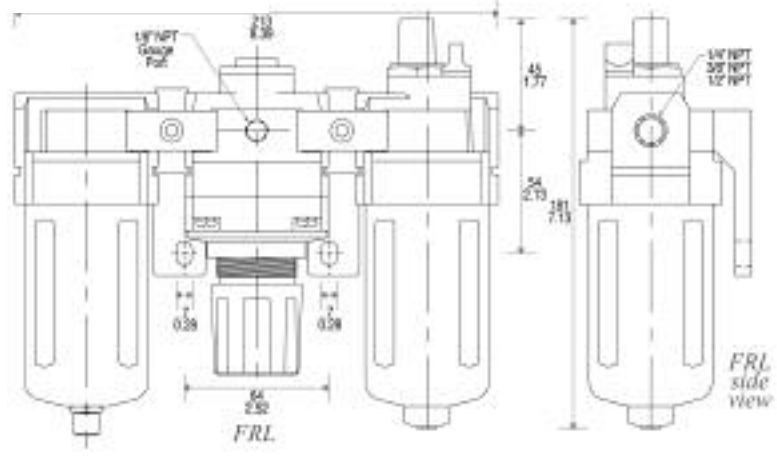
NOTE: Individual regulators, FRs, filters, and lubricators come complete with bracket (except M3).

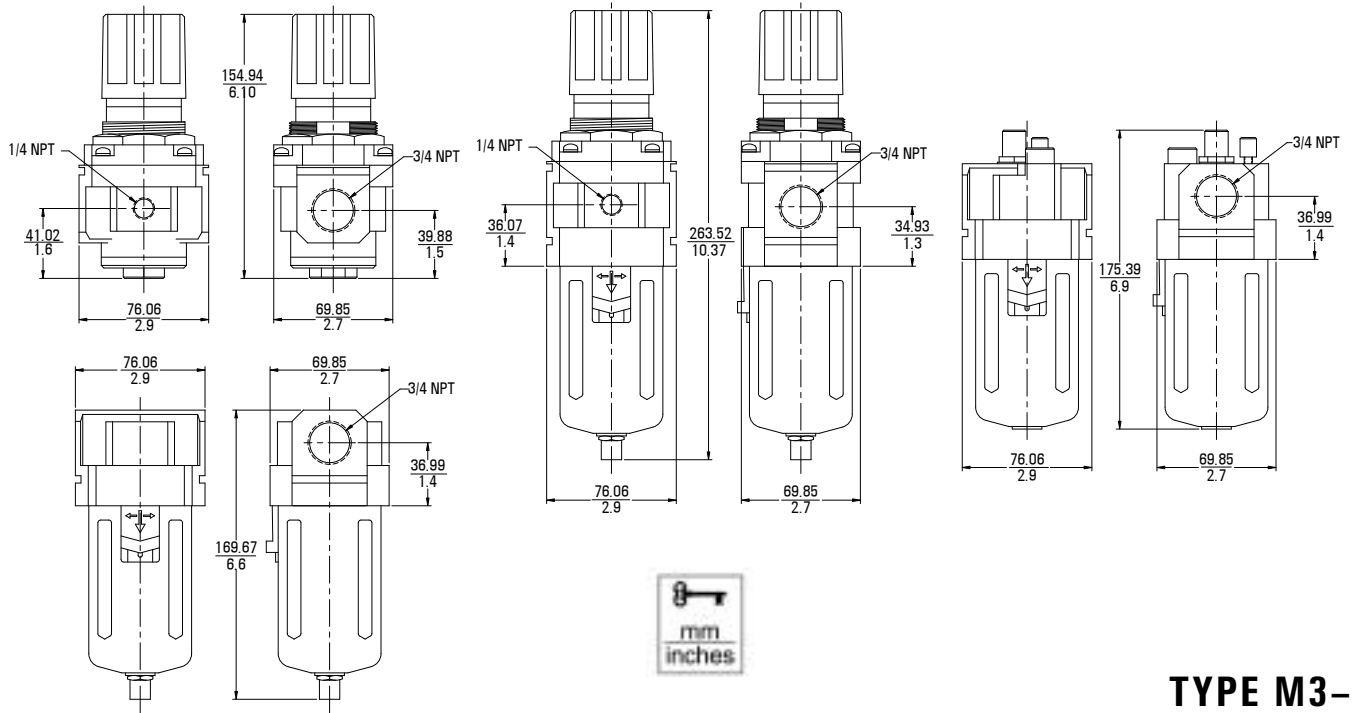
FRL assemblies come complete with all bracket/connectors.



## TYPE M1

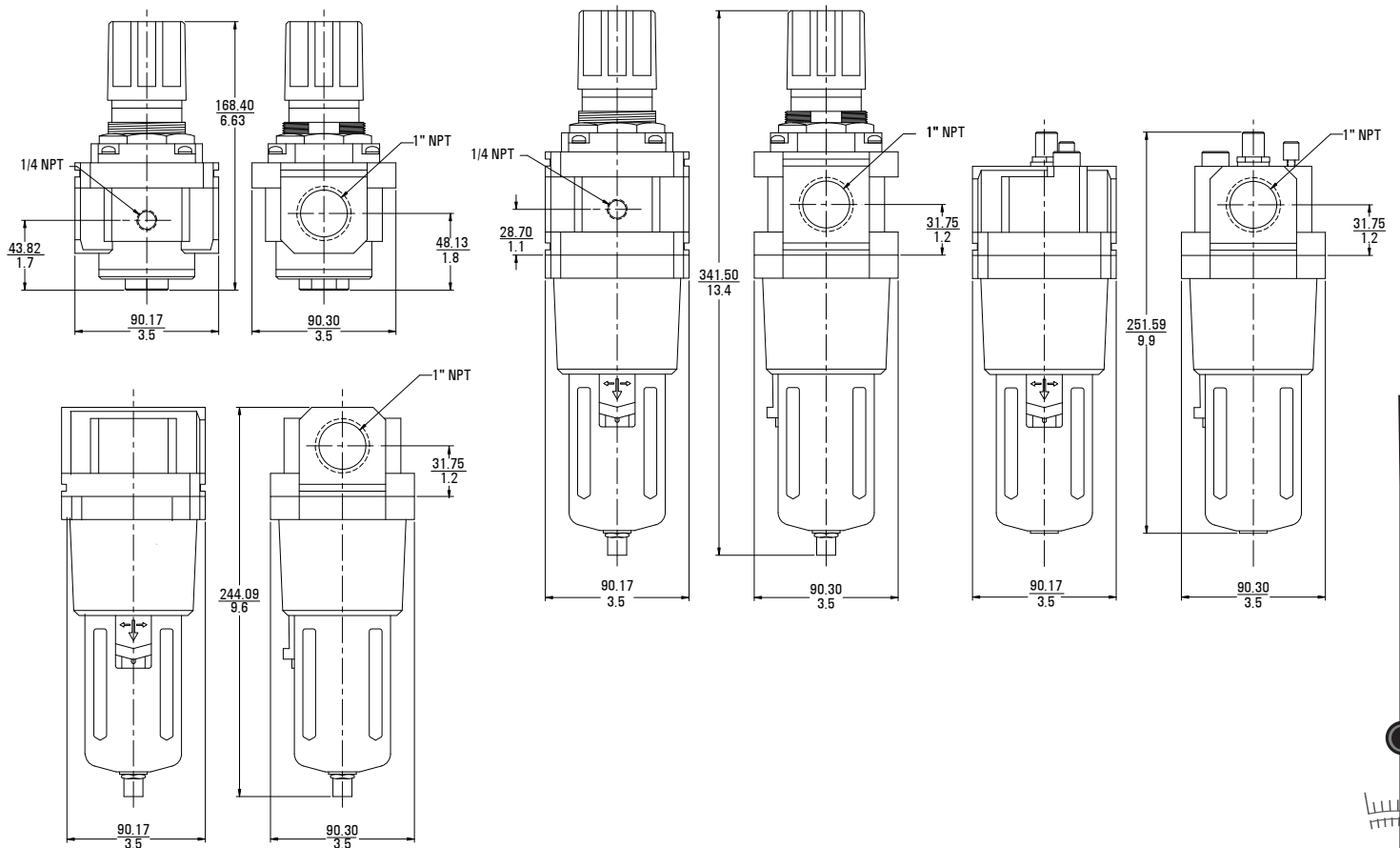
## TYPE M2





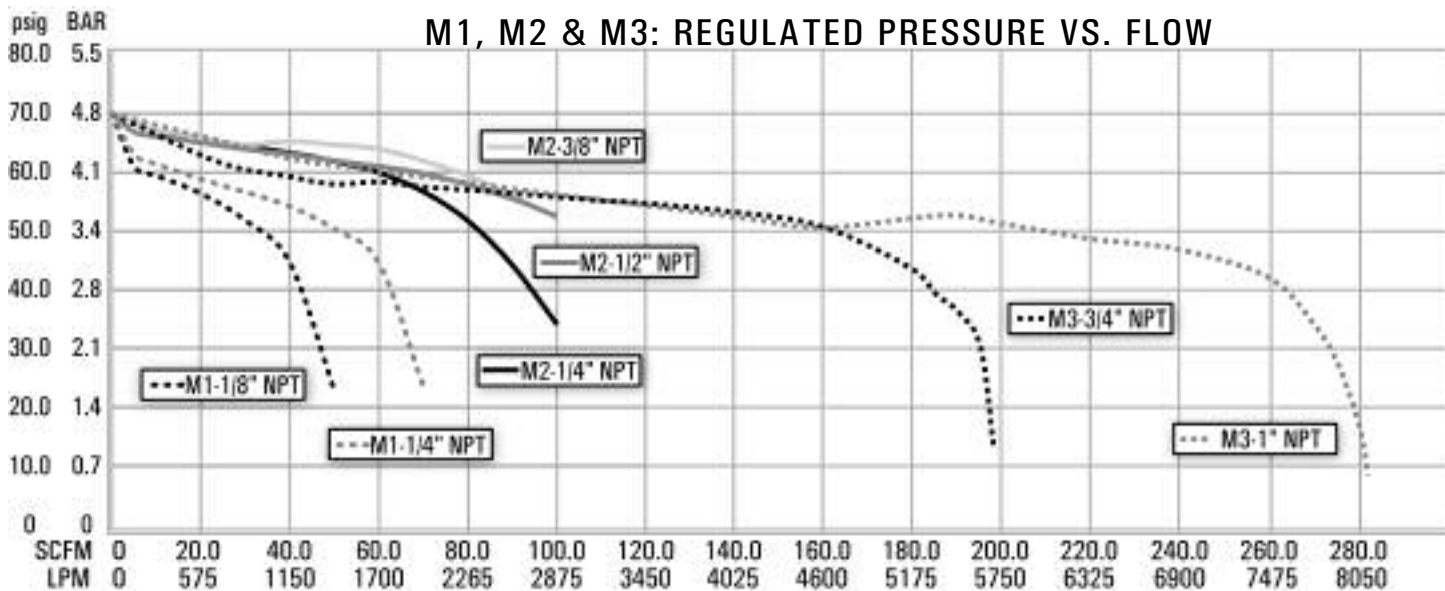
**TYPE M3-3/4"**

**TYPE M3-1"**





## M1, M2 & M3: REGULATED PRESSURE VS. FLOW



### REPLACEMENT PARTS



Description	Model #
Miniature Size Connector Kit	M1K
Miniature Size Connector Kit FR+L	M1K2
Standard Size Connector Kit	M2K
Standard Size Connector Kit FR+L	M2K2
High Flow Size Connector Kit 3/4"	M3K
High Flow Size Connector Kit 1"	M3K1
High Flow Size Connector Kit 3/4" FR+L	M3K2
High Flow Size Connector Kit 1" FR+L	M3K3



Miniature Size Filter or Lubricator Bracket	M1FB
Standard Size Filter or Lubricator Bracket	M2FB
High Flow Size Filter or Lubricator Bracket	M3FB
Miniature Size Regulator or Filter Regulator Bracket	M1RB
Standard Size Regulator or Filter Regulator Bracket	M2RB
High Flow Size Regulator or Filter Regulator Bracket	M3RB



Description	Model #
Miniature 5 micron Filter Element	M1FK05
Miniature 25 micron Filter Element	M1FK25
Miniature 50 micron Filter Element	M1FK50
Standard 5 micron Filter Element	M2FK05
Standard 25 micron Filter Element	M2FK25
Standard 50 micron Filter Element	M2FK50
High Flow 5 micron Filter Element	M3FK05
High Flow 25 micron Filter Element	M3FK25
High Flow 50 micron Filter Element	M3FK50



Miniature Bowl / Manual Drain Assembly	M1DM
Miniature Bowl / Semi-Automatic Drain Assembly	M1DSA
Standard Bowl / Manual Drain Assembly	M2DM
Standard Bowl / Semi-Automatic Drain Assembly	M2DSA
Standard Bowl / Automatic Drain Assembly	M2DA
High Flow Bowls / Manual Drain Assembly	M3DM

Pressure Gauges - "GG" Series Gauges pg. 11



## MARSHALLTOWN VALUE SERIES GAUGE

- ASME Grade B Accuracy
- Extra Savings with Quantity Pricing
- 4 Standard Mounting Options: LM, CB, Right & Left

Marshalltown Value Series are the most economical, general purpose gauge in the Marsh gauge line. Suited for use with water, oil, air, gas, or other non-corrosive media.

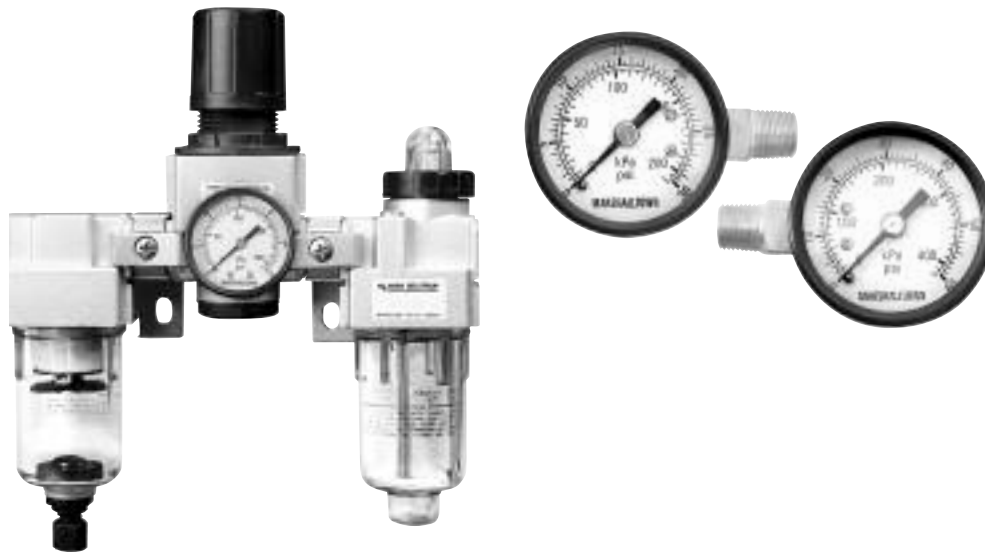
Typical applications include FRL's, compressors, pumps, boilers, regulators, dryers as well as commercial and industrial equipment.



### STANDARD RANGES & PART NUMBERS

TYPE	MARSHALLTOWN VALUE SERIES GAUGES							
	1 1/2"				2"			
Mounting	LM	CB	Right	Left	LM	CB	LM	CB
Connection	1/8" NPT	1/8" NPT	1/8" NPT	1/8" NPT	1/4" NPT	1/4" NPT	1/8" NPT	1/8" NPT
0 to 15 psi		GG1515C8						
0 to 30 psi	GG1530L8	GG1530C8	GG1530G8	GG1530F8	GG2030L4	GG2030C4	GG2030L8	GG2030C8
0 to 60 psi	GG1560L8	GG1560C8	GG1560G8	GG1560F8	GG2060L4	GG2060C4		
0 to 100 psi	GG15100L8	GG15100C8			GG20100L4	GG20100C4	GG20100L8	GG20100C8
0 to 160 psi	GG15160L8	GG15160C8			GG20160L4	GG20160C4	GG20160L8	GG20160C8
0 to 200 psi		GG15200C8				GG20200C4		GG20200C8
0 to 300 psi						GG20300C4		

Consult Factory for additional ranges.



### SPECIFICATIONS

**ACCURACY**  
ASME Grade B =  $\pm 3/2/3\%$  ( $\pm 2\%$  of range across middle half of scale)

**CASE SIZES**  
1 1/2" and 2" diameter

**CASE MATERIAL**  
Steel, black painted

**CASE STYLE**  
CB - Center Back Mount  
LM - Lower Mount  
Right Mount  
Left Mount

**TUBE & SOCKET**  
Copper alloy

**MOVEMENT**  
Brass

**CONNECTION**  
1/8" & 1/4" NPT

**RANGES**  
15 to 200 psi

**DIAL STANDARD**  
Dual scale psi and kPa

**DIAL COLOR**  
Black markings on white

**POINTER**  
Aluminum, Black painted

**WINDOW**  
Flat plastic with steel friction ring

## GENERAL SERVICE GAUGE

- Dial Sizes: 1½", 2", 2½", 3½" & 4½"
- Superb quality, economical price
- Pressure ranges to 5000 psi

Marsh Instruments General Service Steel Case Gauges are an economical, general purpose gauge for pressure measurement from vacuum/compound through 5,000 psi. Suited for use with water, oil, air, gas, or other non-corrosive media.

Typical applications include FRLs, compressors, pumps, boilers, regulators, dryers as well as commercial and industrial equipment.

### STANDARD RANGES & PART NUMBERS

TYPE	GENERAL SERVICE GAUGES							
	1½"				2"			
Size	1½"				2"			
Case Material	Steel				Steel			
Internals	Copper Alloy				Copper Alloy			
Mounting / Case Style	LM	UC	CB	LM	LM	CB	CB	
Connection	½" NPT	½" NPT	½" NPT	½" NPT	¼" NPT	½" NPT	¼" NPT	
Scale Standard	psi/kPa				psi/kPa			
0 to 30" Hg VAC	J0405	J0505	J0605	J1105	J1405	J1805	J2005	
30" Hg VAC to 15 psi								
30" Hg VAC to 30 psi					J1412			
30" Hg VAC to 60 psi					J1414			
30" Hg VAC to 100 psi								
30" Hg VAC to 150 psi	J0418	J0518	J0618	J1118	J1418	J1818	J2018	
30" Hg VAC to 200 psi	J0420	J0520	J0620	J1120	J1420	J1820	J2020	
30" Hg VAC to 300 psi	J0424	J0524	J0624	J1124	J1424	J1824	J2024	
30" Hg VAC to 400 psi				J1126	J1426	J1826	J2026	
0 to 15 psi	J0440	J0540	J0640	J1140	J1440	J1840	J2040	
0 to 30 psi	J0442	J0542	J0642	J1142	J1442	J1842	J2042	
0 to 60 psi	J0446	J0546	J0646	J1146	J1446	J1846	J2046	
0 to 100 psi	J0448	J0548	J0648	J1148	J1448	J1848	J2048	
0 to 160 psi	J0452	J0552	J0652	J1152	J1452	J1852	J2052	
0 to 200 psi	J0454	J0554	J0654	J1154	J1454	J1854	J2054	
0 to 300 psi	J0458	J0558	J0658	J1158	J1458	J1858	J2058	
0 to 400 psi				J1160	J1460	J1860	J2060	
0 to 600 psi					J1464	J1864		
0 to 1,000 psi								
0 to 1,500 psi								
0 to 2,000 psi								
0 to 3,000 psi					J1478	J1878	J2078	
0 to 5,000 psi					J1482			

NOTE:  Items are available on special order. However, minimums and lead times apply. Consult factory.



### SPECIFICATIONS

#### ACCURACY

ASME Grade B-±3/2/3% (±2% of range across middle half of scale)

#### CASE SIZES

1½", 2", 2½", 3½", 4½" diameter

#### CASE MATERIAL

Steel black painted

#### CASE STYLE

CB – Center Back Mount

LM – Lower Mount

UC – U-Clamp Mount

See option tables for Front Flange

#### TUBE & SOCKET

Copper alloy

#### MOVEMENT

Brass

#### CONNECTION

½" & ¼" NPT

#### RANGES

0 to 30" Hg VAC; Compound 30" Hg vac to 400 psi; 15 to 5,000 psi

#### DIAL STANDARD

Dual scale psi and kPa

#### DIAL COLOR

Black markings on white

#### POINTER

Aluminum, black painted

#### WINDOW

1½", 2", 2½", 3½": flat acrylic, twist-in Clearlok

4½": flat glass window with steel friction ring

#### RESTRICTOR

Standard for ranges 1,000 psi and above



## STANDARD RANGES & PART NUMBERS

TYPE	GENERAL SERVICE GAUGES											
	2"		2½"						3½"			4½"
Case Material	Steel		Steel						Steel			Steel
Internals	Copper Alloy		Copper Alloy						Copper Alloy			
Mounting / Case Style	UC	UC	LM	LM	CB	CB	UC	UC	LM	CB	UC	LM
Connection	½" NPT	¼" NPT	½" NPT	¼" NPT	½" NPT	¼" NPT	½" NPT	¼" NPT	½" NPT	¼" NPT	½" NPT	¼" NPT
Scale Standard	psi/kPa		psi/kPa						psi/kPa			psi/kPa
0 to 30" Hg VAC	J2405	J2605	J4005	J4605	J5005	J5405	J6005	J6205	J8005	J8605	J8805	J9005
30" Hg VAC to 15 psi												
30" Hg VAC to 30 psi				J4612					J8012			
30" Hg VAC to 60 psi				J4614					J8014			J9014
30" Hg VAC to 100 psi												
30" Hg VAC to 150 psi	J2418	J2618	J4018	J4618	J5018	J5418	J6018	J6218	J8018	J8618	J8818	J9018
30" Hg VAC to 200 psi	J2420	J2620	J4020	J4620	J5020	J5420	J6020	J6220	J8020	J8620	J8820	J9020
30" Hg VAC to 300 psi	J2424	J2624	J4024	J4624	J5024	J5424	J6024	J6224	J8024	J8624	J8824	J9024
30" Hg VAC to 400 psi	J2426	J2626	J4026	J4626	J5026	J5426	J6026	J6226	J8026	J8626	J8826	J9026
0 to 15 psi	J2440	J2640	J4040	J4640		J5440		J6240	J8040	J8640	J8840	J9040
0 to 30 psi	J2442	J2642	J4042	J4642	J5042	J5442	J6042	J6242	J8042	J8642	J8842	J9042
0 to 60 psi	J2446	J2646	J4046	J4646	J5046	J5446	J6046	J6246	J8046	J8646	J8846	J9046
0 to 100 psi	J2448	J2648	J4048	J4648	J5048	J5448	J6048	J6248	J8048	J8648	J8848	J9048
0 to 160 psi	J2452	J2652	J4052	J4652	J5052	J5452	J6052	J6252	J8052	J8652	J8852	J9052
0 to 200 psi	J2454	J2654	J4054	J4654	J5054	J5454	J6054	J6254	J8054	J8654	J8854	J9054
0 to 300 psi	J2458	J2658	J4058	J4658	J5058	J5458	J6058	J6258	J8058	J8658	J8858	J9058
0 to 400 psi	J2460	J2660	J4060	J4660	J5060	J5460	J6060	J6260	J8060	J8660	J8860	J9060
0 to 600 psi				J4664					J8064	J8664	J8864	J9064
0 to 1,000 psi			J4072	J4672		J5472		J6272		J8672	J8872	J9072
0 to 1,500 psi				J4674					J8074			
0 to 2,000 psi				J4676		J5476		J6276				J9076
0 to 3,000 psi	J2478	J2678		J4678	J5078	J5478	J6078	J6278				
0 to 5,000 psi				J4682						J8682	J8882	J9082

NOTE:  Items are available on special order. However, minimums and lead times apply. Consult factory.

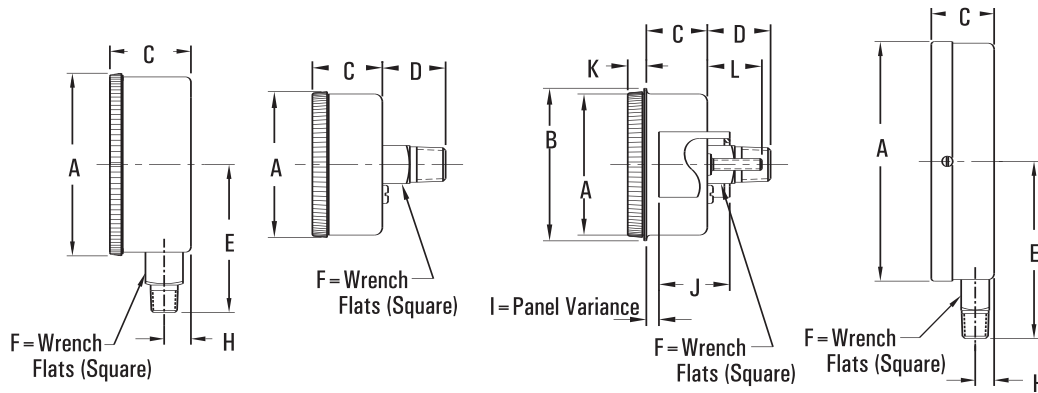


Dial Divisions	General Service 3/2/3% of Span		
Ranges	Figure Intervals	Minor Graduations	
Vacuum	5	1	
<b>COMPOUND</b>			
30" Hg VAC to 15 psi	10	5	2 1
30" Hg VAC to 30 psi	10	10	2 1
30" Hg VAC to 60 psi	10	10	2 2
30" Hg VAC to 150 psi	30	30	5 5
30" Hg VAC to 300 psi	30	50	- 10
<b>PRESSURE</b>			
0 to 15 psi	3	0.2	
0 to 30 psi	5	1	
0 to 60 psi	10	1	
0 to 100 psi	10	2	
0 to 160 psi	20	2	
0 to 200 psi	50	4	
0 to 300 psi	50	5	
0 to 400 psi	50	5	
0 to 600 psi	50	10	
<b>HIGH PRESSURE</b>			
0 to 1,000 psi	200	20	
0 to 1,500 psi	300	20	
0 to 2,000 psi	400	40	
0 to 3,000 psi	500	100	
0 to 4,000 psi	1,000	100	
0 to 5,000 psi	1,000	100	

## GENERAL SERVICE GAUGE OPTIONS

OPTION	TYPE	SUFFIX	AVAILABLE ON MODELS
Restrictors	Add restrictor	H	All models – Consult factory for other sizes
Catalog Dials	psi only	E	See Marsh Price List for minimums
	bar only	L1	
	kg/cm <sup>2</sup> only	L2	
	kPa only	L3	
	MPa only	L4	
	psi & bar	W1	
	psi & kg/cm <sup>2</sup>	W2	
	psi & MPa	W4	
Custom Dials	Custom face	M	See Marsh Price List for minimums
Window	Instrument glass w/ring (GS)	F1	1½" - 3½" Consult factory for availability
	Acrylic	F2	4½" Consult factory for availability
Pointer	Adjustable (slotted) pointer (AD)	Z1	2" - 4½" Consult factory for availability
	Max. Hand Assembly (MX)	Z2	2" - 3½" Consult factory for availability
Increased	Accuracy Grade A: (2/1/2%)	B	All models - 10 piece minimum order
Cases	3 hole front flange (FF)		1½" - 3½" See below for part number
	Part Numbers: 1½"x ⅛" (J07XX), 2"x ⅛" (J25XX), 2"x ¼" (J29XX), 2½" x ⅛" (J61XX), 2½" x ¼" (J63XX), 3½" x ⅛" (J85XX), 3½" x ¼" (J89XX). Consult factory for availability.		
	Stainless steel (SS)	J1	Consult factory for availability
	Brass (BR)	J2	
Rings	Friction ring (external), (FC) Polished Stainless Steel	A1	1½" to 3½" CB or LM only
	Friction ring (external), black (FB)	A2	1½" to 3½" CB or LM only
	Press ring, black (PB)	A3	2" to 3½" [Panel mount]
	Press ring, chrome (PC)	A4	2" to 3½" [Panel mount]
Special Connections			Consult Factory for availability





## GENERAL SERVICE CASE DIMENSIONS

Part#	Dial Size	Mount	A	B	C	D	E	F	H	I	J	K	L
J04xx	1½	⅙" LM	1.67		.90		1.50	⅞"	.26				
J05xx	1½	⅙" UC	1.60	1.75	.71	.72		⅞"		.06-.37	.81	.19	.63
J06xx	1½	⅙" CB	1.67		.90	.72		⅞"					
J11xx	2.0	⅙" LM	2.20		1.22		1.82	⅞"	.40				
J14xx	2.0	¼" LM	2.20		1.22		1.82	⅞"	.40				
J18xx	2.0	⅙" CB	2.20		1.22	.82		⅞"					
J20xx	2.0	¼" CB	2.20		1.22	.82		⅞"					
J24xx	2.0	⅙" UC	2.06	2.25	.94	.88		⅞"		0-0.43	1.22	.20	.92
J26xx	2.0	¼" UC	2.06	2.25	.94	.88		⅞"		0-0.43	1.22	.20	.92
J40xx	2½	⅙" LM	2.73		1.22		2.10	⅞"	.40				
J46xx	2½	¼" LM	2.73		1.22		2.10	⅞"	.40				
J50xx	2½	⅙" CB	2.73		1.23	.82		⅞"					
J54xx	2½	¼" CB	2.73		1.23	.82		⅞"					
J60xx	2½	⅙" UC	2.58	2.81	.94	.88		⅞"		0-0.43	1.22	.20	.92
J62xx	2½	¼" UC	2.58	2.81	.94	.88		⅞"		0-0.43	1.22	.20	.92
J80xx	3½	¼" LM	3.71		1.22		2.77	⅞"	.40				
J86xx	3½	¼" CB	3.71		1.15	.80		⅞"					
J88xx	3½	¼" UC	3.65	3.98	.91	.87		⅞"		0-0.49	1.10	.24	.92
J90xx	4½	¼" LM	4.53		1.22		3.16	⅞"	.40				

# Liquid Filled



## 40MM & 50MM GAUGE

- 40mm & 50mm Liquid Fills
- Copper Alloy Internals
- Glycerine Filled
- Center Back Mount Only

Marsh Instruments Liquid-Filled Gauges are designed to perform in rugged and harsh environmental conditions - especially where pulsation and vibration is a problem. Liquid Filled Gauges offer a significant cushioning and dampening effect, reducing pointer flutter and internal gauge damage. Liquid Filled Gauges feature a ventable top fill plug and can be mounted on a horizontal or vertical plain. The hermetically sealed construction reduces the chance of leaks and makes field filling an easy option.

Typical applications include refineries, chemical, oil & gas, marine and OEM processes.

### STANDARD RANGES & PART NUMBERS

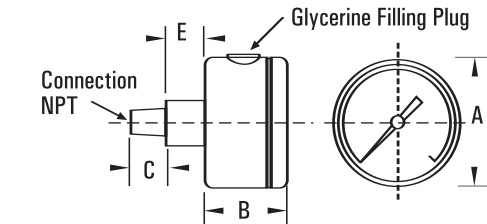
TYPE	40MM & 50MM GAUGES	
μ/Size	40mm	50mm
Case Material	304 Stainless Steel	304 Stainless Steel
Internals	Copper Alloy	Copper Alloy
Mounting / Case Style	CB	CB
Connection	1/8" NPT	1/4" NPT
Scale Standard	psi/BAR/kPa	psi/BAR/kPa
0 to 15 psi	M4040P	M5040P
0 to 30 psi	M4042P	M5042P
0 to 60 psi	M4046P	M5046P
0 to 100 psi	M4048P	M5048P
0 to 160 psi	M4052P	M5052P

### 40MM AND 50MM GAUGE OPTIONS

OPTION	TYPE	SUFFIX	AVAILABLE ON MODELS
Custom Dials	Custom face	M	See Marsh Price List for minimums
Other Ranges			Consult factory for availability
Fill Medium	Silicone (SL)	I	Consult factory

### SPECIFICATIONS

- ACCURACY**  
±2.5% of range across full scale
- CASE SIZES**  
40 or 50 mm diameter
- CASE MATERIAL**  
304 Stainless Steel
- CASE STYLE**  
CB - Center Back mount
- TUBE & SOCKET**  
Copper Alloy tube with nickel plated brass socket
- MOVEMENT**  
Brass
- CONNECTION**  
1/8" NPT & 1/4" NPT
- RANGES**  
15 to 160 psi
- DIAL STANDARD**  
Triple scale psi/BAR/kPa
- DIAL COLOR**  
Black markings on white
- POINTER**  
Aluminum, black painted
- WINDOW**  
Acrylic
- FILL MEDIUM**  
Glycerine
- RESTRICTOR**  
Standard, all ranges
- VENT PLUG**  
Filler/pressure relief plug
- TEMPERATURE LIMITS**  
0 - 140° F (filled)



	A-Size	B	C	E
40mm Dia		27.00mm 1.06"	11.5mm 0.45"	13.00mm 0.51"
50mm Dia		30.00mm 1.18"	11.5mm 0.45"	10.00mm 0.39"





## 63MM SEVERE SERVICE GAUGE

- 3 Standard Mounting Options: LM, CB and U-Clamp
- Field Fillable
- Ranges to 10,000 psi

Marsh Instruments Liquid-Filled Gauges are designed to perform in rugged applications and harsh environmental conditions - especially where pulsation and vibration are a problem. Liquid Filled Gauges offer a significant cushioning and dampening effect, reducing pointer flutter and internal gauge damage; also lubricating the internals, and reducing corrosion.

All stainless steel Liquid Filled Gauges feature a ventable top fill plug for pressure relief and ease of venting after installation. Pressure ranges are available through 10,000 psi, with high pressure ranges offering a Helical Bourdon Tube for longer gauge life and increased durability. The hermetically sealed construction reduces the chance of leaks, and makes field filling an easy option.

Typical applications include refineries, chemical plants, offshore platforms, oil rigs, marine applications, general industrial application and OEM processes.



### STANDARD RANGES & PART NUMBERS

TYPE	63MM SEVERE SERVICE GAUGES					
	63mm			63mm		
Size	63mm			63mm		
Case Material	304 Stainless Steel			304 Stainless Steel		
Internals	Copper Alloy			Stainless Steel		
Mounting / Case Style	LM	UC	CB	LM	UC	CB
Connection	1/4" NPT	1/4" NPT	1/4" NPT	1/4" NPT	1/4" NPT	1/4" NPT
Scale Standard	psi/kPa			psi/kPa		
0 to 30" Hg VAC	J7605P	J7205P	J6405P	J7805P	J7405P	J6605P
30" Hg VAC to 15 psi						
30" Hg VAC to 30 psi	J7612P					
30" Hg VAC to 60 psi	J7614P					
30" Hg VAC to 100 psi						
30" Hg VAC to 150 psi	J7618P	J7218P	J6418P	J7818P	J7418P	J6618P
30" Hg VAC to 200 psi	J7620P	J7220P	J6420P	J7820P	J7420P	J6620P
30" Hg VAC to 300 psi	J7624P	J7224P	J6424P	J7824P	J7424P	J6624P
30" Hg VAC to 400 psi	J7626P	J7226P	J6426P	J7826P	J7426P	J6626P
0 to 15 psi	J7640P	J7240P	J6440P	J7840P	J7440P	J6640P
0 to 30 psi	J7642P	J7242P	J6442P	J7842P	J7442P	J6642P
0 to 60 psi	J7646P	J7246P	J6446P	J7846P	J7446P	J6646P
0 to 100 psi	J7648P	J7248P	J6448P	J7848P	J7448P	J6648P
0 to 160 psi	J7652P	J7252P	J6452P	J7852P	J7452P	J6652P
0 to 200 psi	J7654P	J7254P	J6454P	J7854P	J7454P	J6654P
0 to 300 psi	J7658P	J7258P	J6458P	J7858P	J7458P	J6658P
0 to 400 psi	J7660P	J7260P	J6460P	J7860P	J7460P	J6660P
0 to 600 psi	J7664P	J7264P	J6464P	J7864P	J7464P	J6664P
0 to 1,000 psi	J7672P	J7272P	J6472P	J7872P	J7472P	J6672P
0 to 1,500 psi	J7674P	J7274P	J6474P	J7874P	J7474P	J6674P
0 to 2,000 psi	J7676P	J7276P	J6476P	J7876P	J7476P	J6676P
0 to 3,000 psi	J7678P	J7278P	J6478P	J7878P	J7478P	J6678P
0 to 5,000 psi	J7682P	J7282P	J6482P	J7882P	J7482P	J6682P
0 to 6,000 psi	J7684P	J7284P	J6484P	J7884P	J7484P	J6684P
0 to 10,000 psi				J7890P	J7490P	J6690P

### SPECIFICATIONS

- ACCURACY**  
ASME Grade B -  $\pm 3/2/3\%$  ( $\pm 2\%$  of range across middle half of scale)
- CASE SIZES**  
63mm (2.47") diameter
- CASE MATERIAL**  
304 Stainless Steel
- CASE STYLE**  
Rolled ring, hermetically sealed case  
CB - Center Back Mount  
LM - Lower Mount  
UC - U-Clamp Mount
- TUBE & SOCKET**  
Copper alloy or 316 stainless steel
- MOVEMENT**  
Brass
- CONNECTION**  
1/4" NPT
- RANGES**  
0 to 30" Hg VAC; Compound 30" Hg to 400 psi; 15 to 10,000 psi
- DIAL STANDARD**  
Dual scale psi and kPa
- DIAL COLOR**  
Black markings on white
- POINTER**  
Aluminum, black painted
- WINDOW**  
Polycarbonate
- FILL MEDIUM**  
Glycerin standard
- RESTRICTOR**  
Standard for all ranges
- VENT PLUG**  
Removable tip for venting

NOTE:  Items are available on special order. However, minimums and lead times apply. Consult factory.



# Liquid Filled



front flange mount

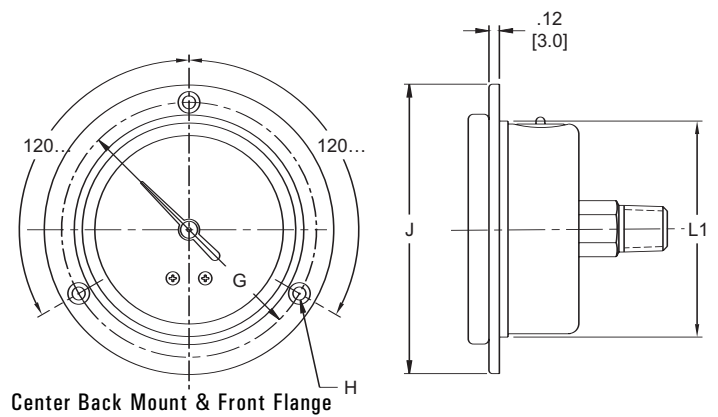
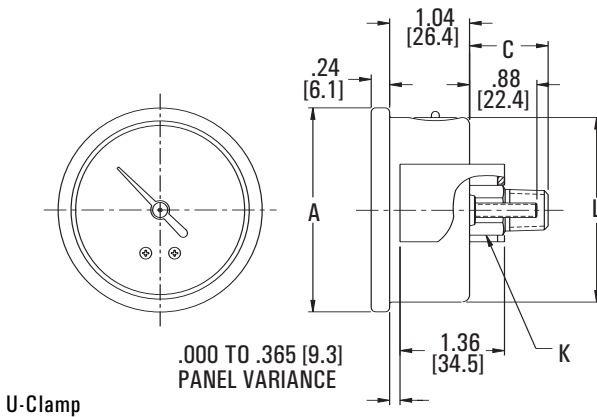


## 63MM SEVERE SERVICE GAUGE OPTIONS

OPTION	TYPE	SUFFIX	AVAILABLE ON MODELS
Fill Medium	Dry (no fill)	Delete suffix P	All models
	Silicone (SL)	I	All models
Front Flange	Adapter ring (3 hole)	R1	Center Back & U-Clamp only (factory Installed)
	Adapter ring (no holes)	R2	U-Clamp only (factory Installed)
Bayonet Case & Ring w/Safety Glass		J	Center Back or Lower Mount (consult factory)
Catalog Dials	psi only	E	See Marsh Price List for minimum
	bar only	L1	
	kg/cm <sup>2</sup> only	L2	
	kPa only	L3	
	MPa only	L4	
	psi & bar	W1	
	psi & kg/cm <sup>2</sup>	W2	
	psi & MPa	W4	
Custom Dials	Logo or Custom face	M	Consult factory for colors and minimums
Restrictor	Special restrictor	H	All models - See Marsh Price List for minimum
	Restrictor removed	H1	
Increased Accuracy	Grade A (2/1/2%)	B	All models - See Marsh Price List for minimum
Special Connections			Consult Factory

Dimension Table

Gauge Size	Conn- ection	A	C	G	H	K	J	L	L1
63mm	1/4"	2.66"	1.03"	2.95"	0.15"	0.56"	3.35	2.43"	2.5"
		68mm	26mm	75mm	4mm	14mm	85mm	62mm	64mm





## 100MM SEVERE SERVICE GAUGE

- Brass or Stainless Steel Internals
- Ranges to 10,000 psi
- Hermetically Sealed – Field Fillable

Marsh Instruments Liquid Filled Gauges are designed to perform in rugged applications and harsh environmental conditions - especially where pulsation and vibration are a problem. Liquid Filled Gauges offer a significant cushioning and dampening effect, reducing pointer flutter and internal gauge damage; also lubricating the internals, and reducing corrosion. All stainless steel Liquid Filled Gauges feature a vent top fill plug for pressure relief and ease of venting after installation. The hermetically sealed construction reduces the chance of leaks, and makes field filling an easy option.

Typical applications include refineries, chemical plants, offshore platforms, oil rigs, marine applications, general industrial application and OEM processes.



### STANDARD RANGES & PART NUMBERS

100MM SEVERE SERVICE GAUGES						
TYPE	100mm			100mm		
Size	100mm			100mm		
Case Material	Stainless Steel			Stainless Steel		
Internals	Copper Alloy			Stainless Steel		
Mounting / Case Style	LM	CB	UC	LM	CB	UC
Connections (NPT)	¼" NPT	¼" NPT	¼" NPT	¼" NPT	¼" NPT	¼" NPT
Scale Standard	psi/kPa			psi/kPa		
0 to 30" Hg VAC	X32965P			X32967P		
30" Hg VAC to 30 psi	X32501P					
30" Hg VAC to 60 psi	X32502P					
30" Hg VAC to 100 psi						
30" Hg VAC to 150 psi	X32887P	X32901P	X32894P	X32929P	X32941P	X32935P
30" Hg VAC to 200 psi	X32888P	X32902P	X32895P	X32930P	X32942P	X32936P
30" Hg VAC to 300 psi	X32889P	X32903P	X32896P	X32931P	X32943P	X32937P
0 to 15 psi	X32504P	X32546P	X32525P	X32630P	X32678P	X32654P
0 to 30 psi	X32505P	X32547P	X32526P	X32631P	X32679P	X32655P
0 to 60 psi	X32506P	X32548P	X32527P	X32632P	X32680P	X32656P
0 to 100 psi	X32507P	X32549P	X32528P	X32633P	X32681P	X32657P
0 to 160 psi	X32508P	X32550P	X32529P	X32634P	X32682P	X32658P
0 to 200 psi	X32509P	X32551P	X32530P	X32635P	X32683P	X32659P
0 to 300 psi	X32510P	X32552P	X32531P	X32636P	X32684P	X32660P
0 to 400 psi	X32511P	X32553P	X32532P	X32637P	X32685P	X32661P
0 to 600 psi	X32512P	X32554P	X32533P	X32638P	X32686P	X32662P
0 to 1,000 psi	X32513P	X32555P	X32534P	X32639P	X32687P	X32663P
0 to 1,500 psi	X32514P	X32556P	X32535P			
0 to 2,000 psi	X32515P	X32557P	X32536P	X32641P	X32689P	X32665P
0 to 3,000 psi	X32516P	X32558P	X32537P	X32642P	X32690P	X32666P
0 to 5,000 psi	X32518P	X32560P	X32539P	X32644P	X32692P	X32668P
0 to 6,000 psi	X32519P	X32561P	X32540P	X32645P	X32693P	X32669P
0 to 10,000 psi				X32647P	X32695P	X32671P

NOTE:  Items are available on special order. However, minimums and lead times apply. Consult factory.

### SPECIFICATIONS

- ACCURACY**  
ASME Grade A – ±2/1/2% (±1% of range across middle half of scale)
- CASE SIZES**  
100mm (3.89") diameter
- CASE MATERIAL**  
304 Stainless Steel
- CASE STYLE**  
Rolled ring, hermetically sealed case  
CB – Center Back Mount  
LM – Lower Mount  
UC – U-Clamp Mount
- TUBE & SOCKET**  
Copper alloy or 316 stainless steel
- MOVEMENT**  
Brass
- CONNECTION**  
¼" NPT
- RANGES**  
0 to 30" Hg VAC  
Compound 30" Hg VAC to 300 psi  
15 to 10,000 psi
- DIAL STANDARD**  
Dual scale psi & kPa
- DIAL COLOR**  
Black markings on white
- POINTER**  
Aluminum, black painted
- WINDOW**  
Polycarbonate
- FILL MEDIUM**  
Glycerine
- RESTRICTOR**  
Standard for all ranges
- VENT PLUG**  
Removable tip for venting

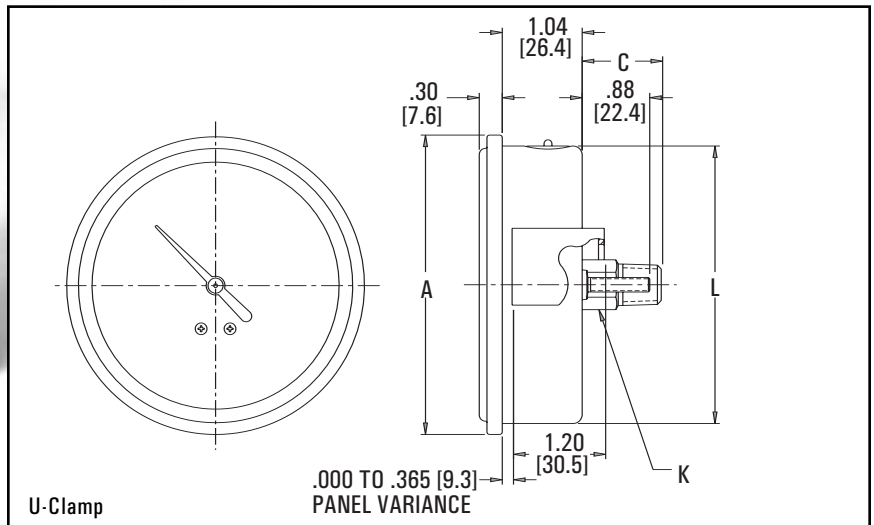
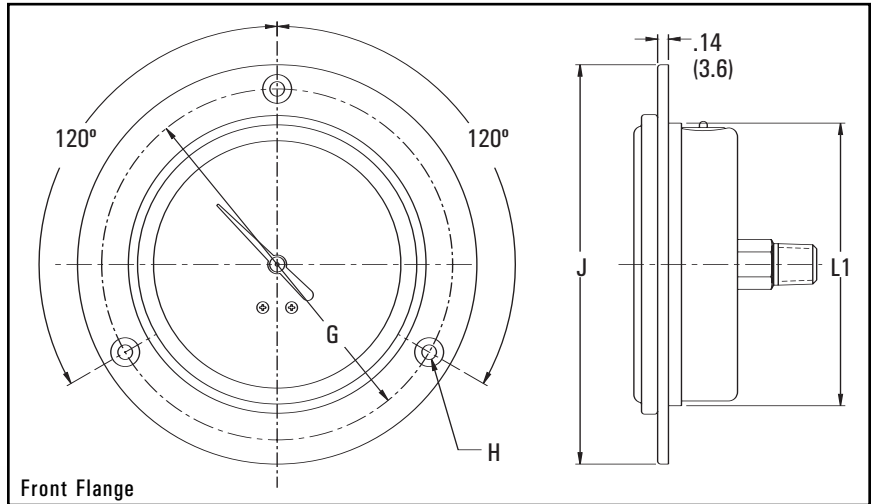


# Liquid Filled



## 100MM SEVERE SERVICE GAUGE OPTIONS

OPTION	TYPE	SUFFIX	AVAILABLE ON MODELS
Fill Medium	Dry (no fill)	Delete suffix P	All models
	Silicone (SL)	I	All models
Front Flange	Adapter Ring (3 hole)	R	U-Clamp & Center Back only (factory installed)
Catalog Dials	psi only	E	See Marsh Price List for minimum
	bar only	L1	
	kg/cm <sup>2</sup>	L2	
	kPa only	L3	
	MPa	L4	
	psi & bar	W1	
	psi & kg/cm <sup>2</sup>	W2	
psi & MPa	W4		
Custom Dials	Logo or custom face	M	Consult factory for colors and minimums.
Restrictor	Special restrictor	H	All models - See Marsh Price List for minimum
	Restrictor removed	H1	All models - See Marsh Price List for minimum
Increased Accuracy	Grade 1A ±1% full scale	B	All models - See Marsh Price List for minimum
Special Connections			Consult factory for Availability



Dimension Table

Gauge Size	Connection	A	C	G	H	K	J	L	L1
100mm	1/4"	3.90" 99mm	1.03" 26mm	4.57" 116mm	0.19" 5mm	9/16" 14mm	5.20" 132mm	3.62" 92mm	3.68" 94mm

## 100MM ELITE STAINLESS STEEL GAUGE

- All Stainless Steel
- Field Fillable
- Ranges to 10,000 psi
- Liquid Filled or Dry
- Solid Front Design – Safecase

Marsh Instruments all stainless steel gauges are built for extended life, and designed for harsh and corrosive environments. These stainless steel gauges feature top fill plugs and are field fillable. Marsh Liquid Filled Gauges offer significant cushioning and dampening which reduces pointer flutter and internal gauge damage.

Typical applications include refineries, chemical plants, offshore platforms, oil rigs, marine applications, general industrial application and OEM processes.

### STANDARD RANGES & PART NUMBERS

100MM ELITE STAINLESS STEEL GAUGES	
Size	100mm
Case Material	304 Stainless Steel
Internals	316 Stainless Steel
Mounting/Case Style	LM
Connection	1/2" NPT
Scale Standard	psi/kPa
0 to 30" Hg VAC	W9605
0 to 30 psi	W9642
0 to 60 psi	W9646
0 to 100 psi	W9648
0 to 200 psi	W9654
0 to 300 psi	W9658
0 to 600 psi	W9664
0 to 1,000 psi	W9672
0 to 1,500 psi	W9674
0 to 2,000 psi	W9676
0 to 3,000 psi	W9678
0 to 5,000 psi	W9682
0 to 10,000 psi	W9690

NOTE: To order filled, consult filling chart below.

### STAINLESS STEEL GAUGES OPTIONS

OPTION	TYPE	SUFFIX	AVAILABLE ON MODELS
Fill Medium	Dry (no fill)	Standard	All ranges
	Glycerine (GL)	Add suffix P	All ranges
	Silicone (SL)	Add suffix PI	All ranges



### SPECIFICATIONS

- ACCURACY**  
ASME Grade 1A – ± 1.0% of range across full scale
- CASE SIZES**  
100mm diameter (4")
- CASE MATERIAL**  
304 Stainless Steel
- CASE STYLE**  
Solid front & blow-out back Safecase construction
- LM – Lower Mount**
- TUBE & SOCKET**  
316 Stainless Steel
- MOVEMENT**  
Stainless Steel
- CONNECTION**  
1/2" NPT
- RANGES**  
30 to 10,000 psi and 0 to 30" VAC Hg
- DIAL STANDARD**  
Dual scale psi and kPa
- DIAL COLOR**  
Black markings on white
- POINTER**  
Aluminum, black painted
- WINDOW**  
Safety glass
- FILL MEDIUM**  
See Options
- VENT**  
Internal compensating diaphragm



## 100MM STAINLESS STEEL GAUGE

- Liquid Filled or Dry
- Field Fillable
- Ranges to 10,000 psi
- Heavy Duty Stainless Steel

Marsh Instruments Stainless Steel Gauges are built for extended life, and designed for harsh and corrosive environments. These stainless steel gauges feature top fill plugs and are field fillable. Pressure ranges are available to 10,000 psi. Marsh Liquid Filled Gauges offer significant cushioning and dampening which reduces pointer flutter and internal gauge damage.

Typical applications include refineries, chemical plants, offshore platforms, oil rigs, marine applications, general industrial application and OEM processes.

### STANDARD RANGES & PART NUMBERS

100MM STAINLESS STEEL GAUGES			
TYPE	100mm	100mm	100mm
Size	100mm	100mm	100mm
Case Material	Stainless Steel	Stainless Steel	Stainless Steel
Internals	316 Stainless Steel	316 Stainless Steel	316 Stainless Steel
Mounting / Case Style	LM	UC	FF
Connection	1/4" NPT	1/4" NPT	1/4" NPT
Scale Standard	psi/kPa	psi/kPa	psi/kPa
0 to 30 psi	H10742	H10842	H10842R
0 to 60 psi	H10746	H10846	H10846R
0 to 100 psi	H10748	H10848	H10848R
0 to 160 psi	H10752	H10852	H10852R
0 to 200 psi	H10754	H10854	H10854R
0 to 300 psi	H10758	H10858	H10858R
0 to 400 psi	H10760	H10860	H10860R
0 to 600 psi	H10764	H10864	H10864R
0 to 1,000 psi	H10772	H10872	H10872R
0 to 1,500 psi	H10774	H10874	H10874R
0 to 2,000 psi	H10776	H10876	H10876R
0 to 3,000 psi	H10778	H10878	H10878R
0 to 5,000 psi	H10782	H10882	H10882R
0 to 10,000 psi	H10790	H10890	H10890R

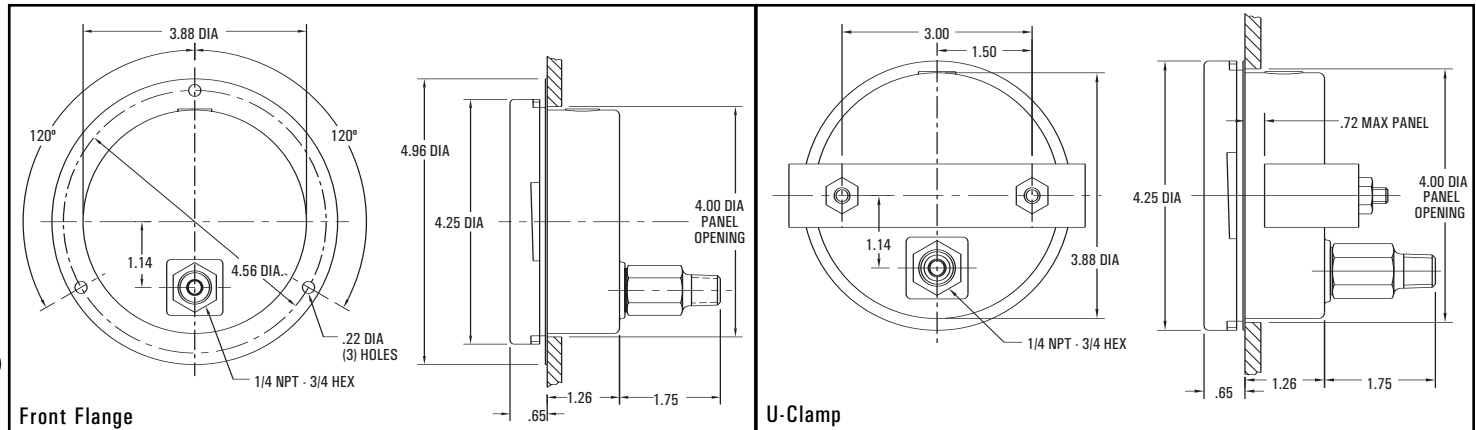
To order filled, see filling chart below.

100MM STAINLESS STEEL GAUGE OPTIONS			
OPTION	TYPE	SUFFIX	AVAILABLE ON MODELS
Fill Medium	Dry (no fill)	Standard	All ranges
	Glycerine (GL)	Add suffix P	
	Silicone (SL)	Add suffix PI	

### SPECIFICATIONS

- ACCURACY**  
ASME Grade 1A - ± 1.0% of range across full scale
- CASE SIZES**  
100mm diameter (4")
- CASE MATERIAL**  
304 Stainless Steel
- CASE STYLES**  
LM - Lower Mount  
UC - U-Clamp Mount  
FF - Front Flange Mount
- TUBE & SOCKET**  
316 Stainless Steel
- MOVEMENT**  
Stainless Steel
- CONNECTION**  
1/4" NPT lower or lowerback connection
- RANGES**  
30 to 10,000 psi
- DIAL STANDARD**  
Dual scale psi and kPa
- DIAL COLOR**  
Black markings on white
- POINTER**  
Aluminum, black painted
- WINDOW**  
Acrylic
- FILL MEDIUM**  
See options
- VENT**  
Rubber plug with snip-off feature

### DIMENSIONS





## QUALITY SERIES 100MM STAINLESS STEEL INTERNAL GAUGE

- Liquid Filled or Dry
- Adjustable Micrometer Pointer
- Ranges to 10,000 psi
- Safety Glass Window

Marsh Stainless Steel gauges are built for extended life and design for harsh and corrosive environments. They feature a top fill plug polished bayonet ring and are field fillable. Liquid filled gauges offer significant cushioning and dampening plus extend the life of a gauge.

Typical applications include Oil patch, Refineries, Oil Rigs, Control Panels, Offshore Platforms, Marine and General Industrial.



### STANDARD RANGES & PART NUMBERS

QUALITY SERIES 100MM STAINLESS STEEL INTERNAL GAUGES	
Size	100mm
Case Material	Stainless Steel
Internals	316 Stainless Steel
Mounting / Case Style	LM
Connection	½" NPT
Scale Standard	psi/kPa
0 to 30" Hg Vacuum	H20905
0 to 15 psi	H20940
0 to 30 psi	H20942
0 to 60 psi	H20946
0 to 100 psi	H20948
0 to 160 psi	H20952
0 to 200 psi	H20954
0 to 300 psi	H20958
0 to 400 psi	H20960
0 to 600 psi	H20964
0 to 1,000 psi	H20972
0 to 1,500 psi	H20974
0 to 2,000 psi	H20976
0 to 3,000 psi	H20978
0 to 5,000 psi	H20982
0 to 10,000 psi	H20990

To order filled, see filling chart below.

### QUALITY SERIES 100MM STAINLESS STEEL INTERNAL GAUGE OPTIONS

OPTION	TYPE	SUFFIX	AVAILABLE ON MODELS
Fill Medium	Dry (no fill)	Standard	All ranges
	Glycerine (GL)	Add suffix P	
	Silicone (SL)	Add suffix PI	
Catalog Dials	psi only	E	
	Bar only	L1	
	kg/cm <sup>2</sup> only	L2	
	kPa only	L3	
	MPa only	L4	
	psi & BAR	W1	
	psi & kg/cm <sup>2</sup>	W2	
	psi & MPa	W4	

### SPECIFICATIONS

**ACCURACY**  
ASME Grade 1A – ± 1.0% of range across full scale

**CASE SIZES**  
100mm diameter (4")

**CASE MATERIAL**  
304 Stainless Steel

**CASE STYLES**  
LM – Lower Mount

**TUBE & SOCKET**  
316 Stainless Steel

**MOVEMENT**  
Stainless Steel

**CONNECTION**  
½" NPT

**RANGES**  
Vacuum to 10,000 psi

**DIAL STANDARD**  
Dual scale psi and kPa

**DIAL COLOR**  
Black markings on white

**POINTER**  
Aluminum, Adjustable Micrometer, black painted

**WINDOW**  
Safety Glass

**FILL MEDIUM**  
See options

**VENT**  
Rubber plug with snip-off feature





## QUALITY SERIES 100MM COPPER ALLOY INTERNAL GAUGES

- Liquid Filled or Dry
- Removable polished bayonet ring
- Ranges to 5,000 psi
- Safety Glass Window

Stainless steel case with copper alloy internals. Ideal for heavy duty service in industrial and commercial environments. Features robust design with removable polished bayonet ring and adjustable pointer. Field fillable.

Typical applications include industrial machinery, oilfield equipment and controls, wellheads, pipeline and general industrial.

### STANDARD RANGES & PART NUMBERS

#### SPECIFICATIONS

##### ACCURACY

ASME Grade 1A – ±1.0% of range across full scale

##### CASE SIZES

100mm diameter (4")

##### CASE MATERIAL

304 Stainless Steel

##### CASE STYLES

LM – Lower Mount

##### TUBE & SOCKET

Copper alloy

##### MOVEMENT

Stainless Steel

##### CONNECTION

½" NPT lower mount

##### RANGES

Vacuum to 5,000 psi

##### DIAL STANDARD

Single scale psi

##### DIAL COLOR

Black markings on white

##### POINTER

Aluminum, Adjustable Micrometer, black painted

##### WINDOW

Safety Glass

##### FILL MEDIUM

See options

##### VENT

Rubber plug with snip-off feature

QUALITY SERIES 100MM COPPER ALLOY INTERNAL GAUGES	
Size	100mm
Case Material	Stainless Steel
Internals	316 Stainless Steel
Mounting / Case Style	LM
Connection	½" NPT
Scale Standard	psi
0 to 30" Hg Vacuum	H20505
0 to 15 psi	H20540
0 to 30 psi	H20542
0 to 60 psi	H20546
0 to 100 psi	H20548
0 to 160 psi	H20552
0 to 200 psi	H20554
0 to 300 psi	H20558
0 to 400 psi	H20560
0 to 600 psi	H20564
0 to 1,000 psi	H20572
0 to 1,500 psi	H20574
0 to 2,000 psi	H20576
0 to 3,000 psi	H20578
0 to 5,000 psi	H20582
0 to 10,000 psi	H20590

To order filled, see filling chart below.

QUALITY SERIES 100MM COPPER ALLOY INTERNAL GAUGE OPTIONS			
OPTION	TYPE	SUFFIX	AVAILABLE ON MODELS
Fill Medium	Dry (no fill)	Standard	All ranges
	Glycerine (GL)	Add suffix P	
	Silicone (SL)	Add suffix PI	
Catalog Dials	bar only	L1	
	kg/cm <sup>2</sup> only	L2	
	kPa only	L3	
	MPa only	L4	
	psi & BAR	W1	
	psi & kg/cm <sup>2</sup>	W2	
	psi & kPa	W3	
psi & MPa	W4		





## 'HW' 100MM STAINLESS STEEL

- Liquid Filled or Dry - Field Fillable
- Socket Welded to the Case
- Ranges to 20,000 psi
- Heavy Duty All Stainless Steel

Marsh Instruments Stainless Steel Gauges are built for extended life, and designed for harsh and corrosive environments. These stainless steel gauges feature top fill plugs and are field fillable. Pressure ranges are available to 20,000psi. Marsh Liquid Filled Gauges offer significant cushioning and dampening which reduces pointer flutter and internal gauge damage.

Typical applications include refineries, chemical plants, offshore platforms, oil rigs, marine applications, general industrial application and OEM processes.

### STANDARD RANGES & PART NUMBERS

'HW' 100MM STAINLESS STEEL GAUGES	
Size	100mm
Case Material	Stainless Steel
Internals	316 Stainless Steel
Mounting / Case Style	LM
Connection	½" NPT
Scale Standard	psi/kPa
0 to 15 psi	
0 to 30 psi	HW10942
0 to 60 psi	HW10946
0 to 100 psi	HW10948
0 to 160 psi	HW10952
0 to 200 psi	HW10954
0 to 300 psi	HW10958
0 to 400 psi	HW10960
0 to 600 psi	HW10964
0 to 1,000 psi	HW10972
0 to 1,500 psi	HW10974
0 to 2,000 psi	HW10976
0 to 3,000 psi	HW10978
0 to 5,000 psi	HW10982
0 to 10,000 psi	HW10990
0 to 20,000 psi	HW10994

NOTE:  Items are available on special order. However, minimums and lead times apply. Consult factory.

NOTE: To order filled, consult filling chart below.

### 'HW' 100MM GAUGE OPTIONS

OPTION	TYPE	SUFFIX	AVAILABLE ON MODELS
Fill Medium	Dry (no fill)	Standard	All ranges
	Glycerine (GL)	Add suffix P	
	Silicone (SL)	Add suffix PI	
Catalog Dials	psi only	E	
	BAR only	L1	
	kg/cm <sup>2</sup> only	L2	
	kPa only	L3	
	MPa only	L4	
	psi & BAR	W1	
	psi & kg/cm <sup>2</sup>	W2	
psi & MPa	W4		



### SPECIFICATIONS

**ACCURACY**  
ASME Grade 1A – ± 1.0% of range across full scale

**CASE SIZES**  
100mm diameter (4")

**CASE MATERIAL**  
304 Stainless Steel

**CASE STYLES**  
LM – Lower Mount

**TUBE & SOCKET**  
316 Stainless steel welded to the case

**MOVEMENT**  
Stainless Steel

**CONNECTION**  
½" NPT

**RANGES**  
15 to 20,000 psi

**DIAL STANDARD**  
Dual scale psi and kPa

**DIAL COLOR**  
Black markings on white

**POINTER**  
Aluminum, black painted

**WINDOW**  
Safety glass

**FILL MEDIUM**  
See options

**VENT**  
Rubber plug with snip-off feature

